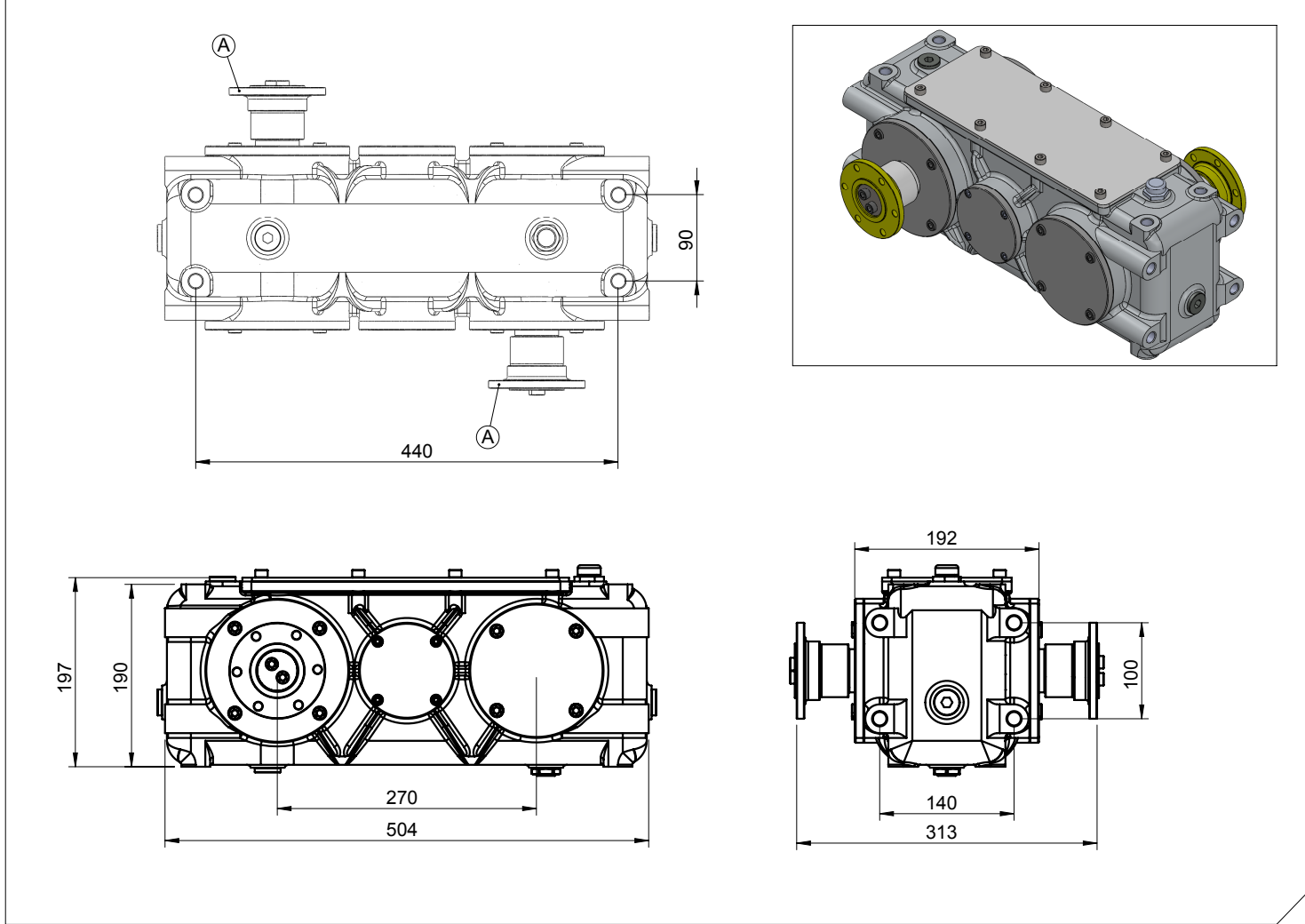


<b>Application Type</b>	Horizontal or Vertical Usage
<b>Gearbox Type</b>	3 Axis RPM Increaser/Decreaser

<b>Product Code</b>	<b>KRD.18</b>
---------------------	---------------



### Products Views



### Component Details

A: Reductor Input and Output Flanged (DIN100 6Bolts)(Optional)

### Technical Details

Max. Power	Max. Torque		Input/Output	Mounting Type	Sense of Rotation
	Nm	kgm			
kW				Split Shaft	
100	951	97	1/1	<b>Weight</b>	<b>Sense of Rotation</b>
				35 kg	Same as Input



**Ofis / Office**  
 Tel. +90 312 354 05 39  
 Fax +90 312 354 34 59  
 7. Sokak No: 9  
 Ostim / ANKARA  
 e-mail: [info@kozmaksan.com.tr](mailto:info@kozmaksan.com.tr)

**Fabrika / Factory**  
 Tel. +90 312 267 39 71  
 Fax +90 312 267 38 72  
 AOS. 1. OSB. Erkunt Cad. No: 6  
 Sincan / ANKARA  
 Website: [www.kozmaksan.com.tr](http://www.kozmaksan.com.tr)